

# Fuseholders for Indicating Fuses

## GMT Type



CATALOG SYMBOL: HLS, HLT, PCT  
FUSEHOLDERS FOR GMT TYPE INDICATING FUSES  
ELECTRICAL RATING—60V DC, 125V AC  
UL RECOGNIZED (GUIDE # IZLT2, FILE E14853)  
15AMP (60V DC)

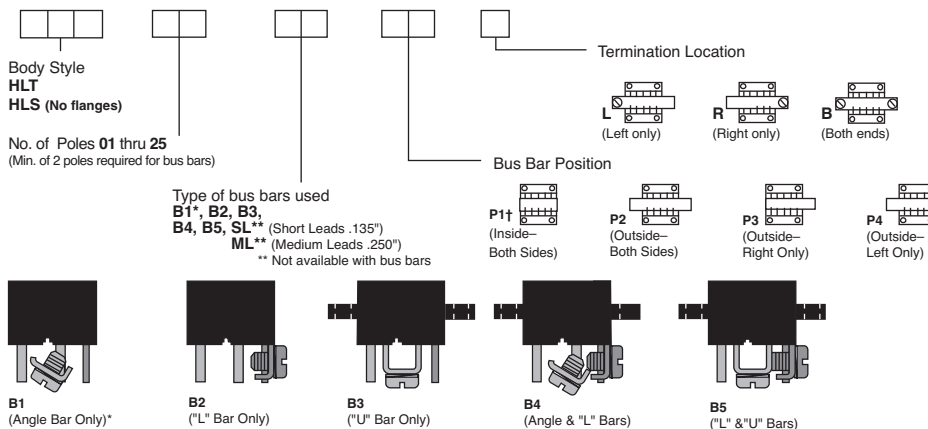
**Materials:**

**Body:** Thermosplastic, UL 94V0 flammability rating

**Terminals:** Tin-plated bifurcated copper

For use with GMT Type Indicating Fuses

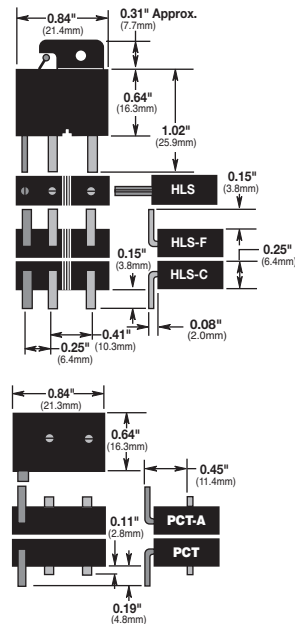
**Multiple Fuseholders with bus bars**  
**Ordering Information—Catalog No.**



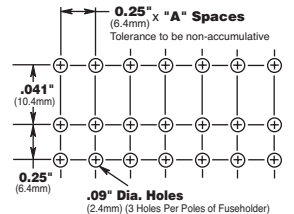
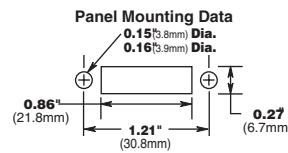
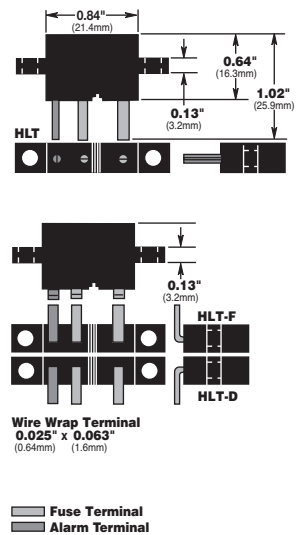
\* Angle Bar mounts on common or center terminals only.  
† Minimum of 4 Poles Required.  
\*\* SL Version is not available with bus bars.

**Dimensional Data**

**Printed Circuit Board Application Shown With GMT Fuse Installed**



**Note: Similar Body Dimensions of All Holders Are Identical.**



The only controlled copy of this BIF document is the electronic read-only version located on the Bussmann Network Drive. All other copies of this BIF document are by definition uncontrolled. This bulletin is intended to clearly present comprehensive product data and provide technical information that will help the end user with design applications. Bussmann reserves the right, without notice, to change design or construction of any products and to discontinue or limit distribution of any products. Bussmann also reserves the right to change or update, without notice, any technical information contained in this bulletin. Once a product has been selected, it should be tested by the user in all possible applications.

# Telpower® DC Power Distribution Fuses

TPA

170 Volts, DC, 3-50 Amps

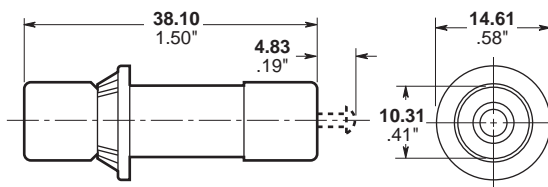


CATALOG SYMBOL: TPA and TPA-B  
 DC POWER DISTRIBUTION FUSES  
 AMPERE RATING: 3-50 Amps  
 VOLTAGE RATING: TPA - 170 VOLTS DC; TPA-B - 65V DC  
 INTERRUPTING RATINGS: TPA, 100 kA; TPA-B, 20kA  
 CONSTRUCTION:  
 • SILVER-PLATED BRASS FERRULES AND INDICATOR PIN.  
 • GLASS MELAMINE TUBE.  
 AGENCY APPROVALS:  
 U.L. RECOGNIZED (GUIDE # JFHR2, FILE E56412)  
 CSA CERTIFIED, CLASS 1422-30, FILE 53787

### Catalog Numbers

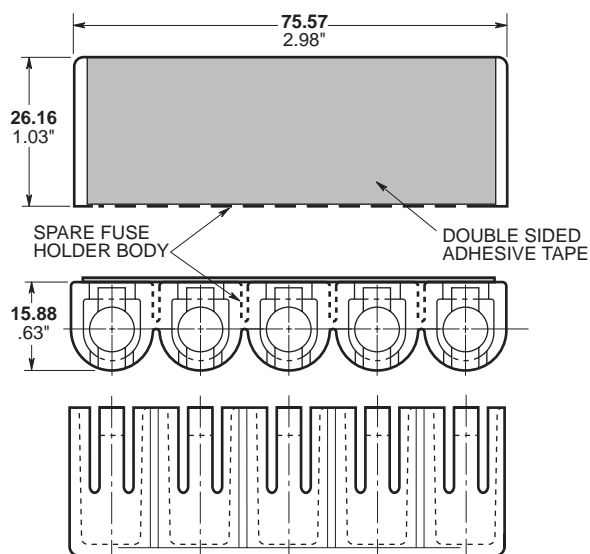
TPA-3	TPA-25	TPA-B-20
TPA-5	TPA-30	TPA-B-25
TPA-10	TPA-40	
TPA-15	TPA-50	
TPA-20		

### Dimensional Data – TPA Fuses



- Recognized branch circuit protection.
- Current-limiting capability.
- Complete system coordination capability.
- Use with Telpower **TP15914** and **TP15900-4** Disconnect Switches.
- Five position spare fuseholder available – **Part No. 5TPH.**

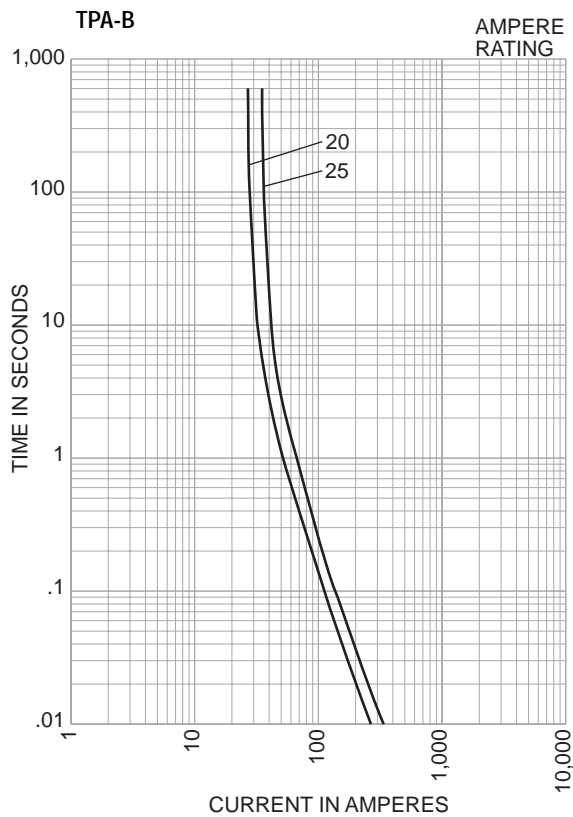
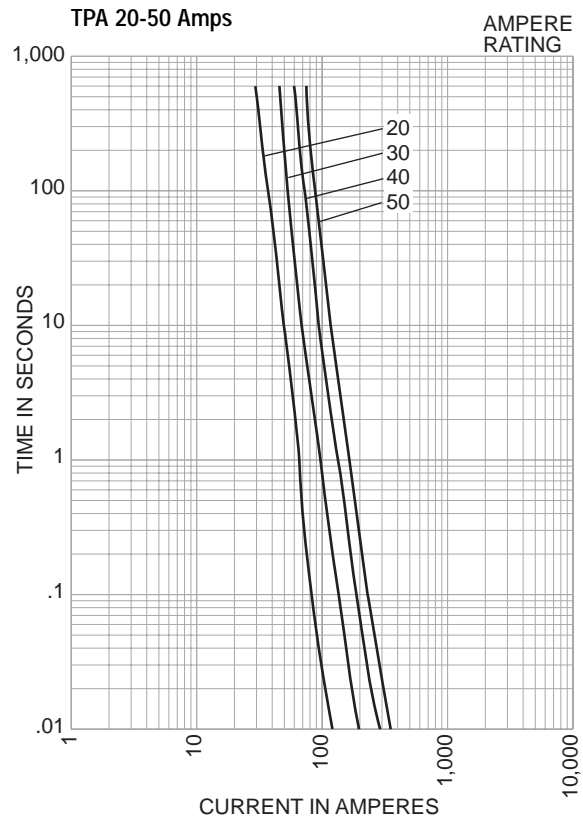
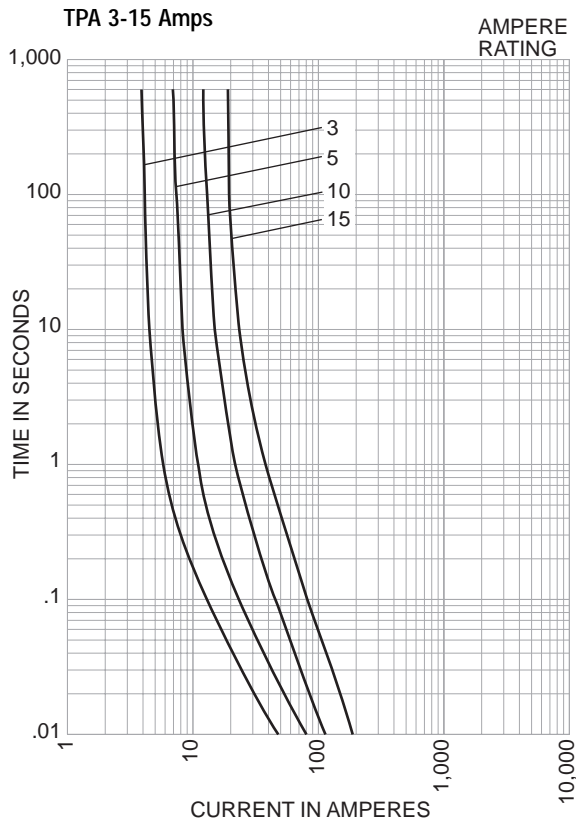
### Five Position Spare Fuseholder – 5TPH



# Telpower® DC Power Distribution Fuses

170 Volts DC, 3-50 Amps

TPA



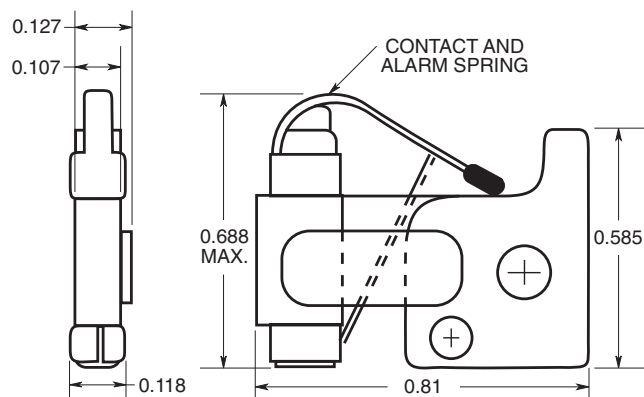
The only controlled copy of this BIF document is the electronic read-only version located on the Bussmann Network Drive. All other copies of this BIF document are by definition uncontrolled. This bulletin is intended to clearly present comprehensive product data and provide technical information that will help the end user with design applications. Bussmann reserves the right, without notice, to change design or construction of any products and to discontinue or limit distribution of any products. Bussmann also reserves the right to change or update, without notice, any technical information contained in this bulletin. Once a product has been selected, it should be tested by the user in all possible applications.

# Fast-Acting Indicating Telecom Fuse

## 60Vdc/125Vac



### Dimensional Data — in



Catalog Symbol: GMT

Fast-acting indicating fuse for telecom circuits.

#### Ratings:

Volts: 60Vdc/125Vac

Amps: 18/100 – 15A

IR: 450A @ 60Vdc

300A @ 125Vac

#### Agency Information:

UL Recognized, Guide JFHR2, File E56412

#### Materials:

Body: Thermoplastic (flammability rating: UL94V0)

Terminals: Tin-plated beryllium copper

#### Carton Quantity & Weight:

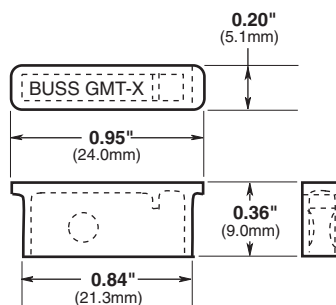
100 fuses per carton, 0.33 lbs. (150g.)

Fuse Holders: Catalog Nos. HLS, HLT and PCT

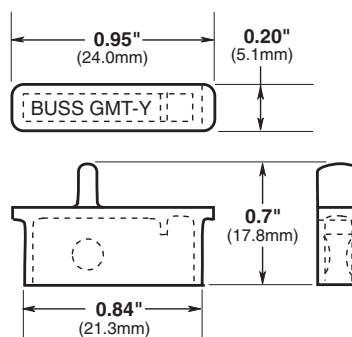
#### General Information:

- For telecom, computer, or control circuits.
- Visual spring indicating and alarm circuit indicating.
- Color coded flags designate amp rating.
- Fuses easily replaced without use of insulated tools.
- Fuses can be removed with wire hook when mounted on minimum centers.
- **GMT-X** fuse cover available.
- **GMT-Y** fuse cover (with pull-tab) available.

### Covers — in (mm)



GMT-X Fuse Cover



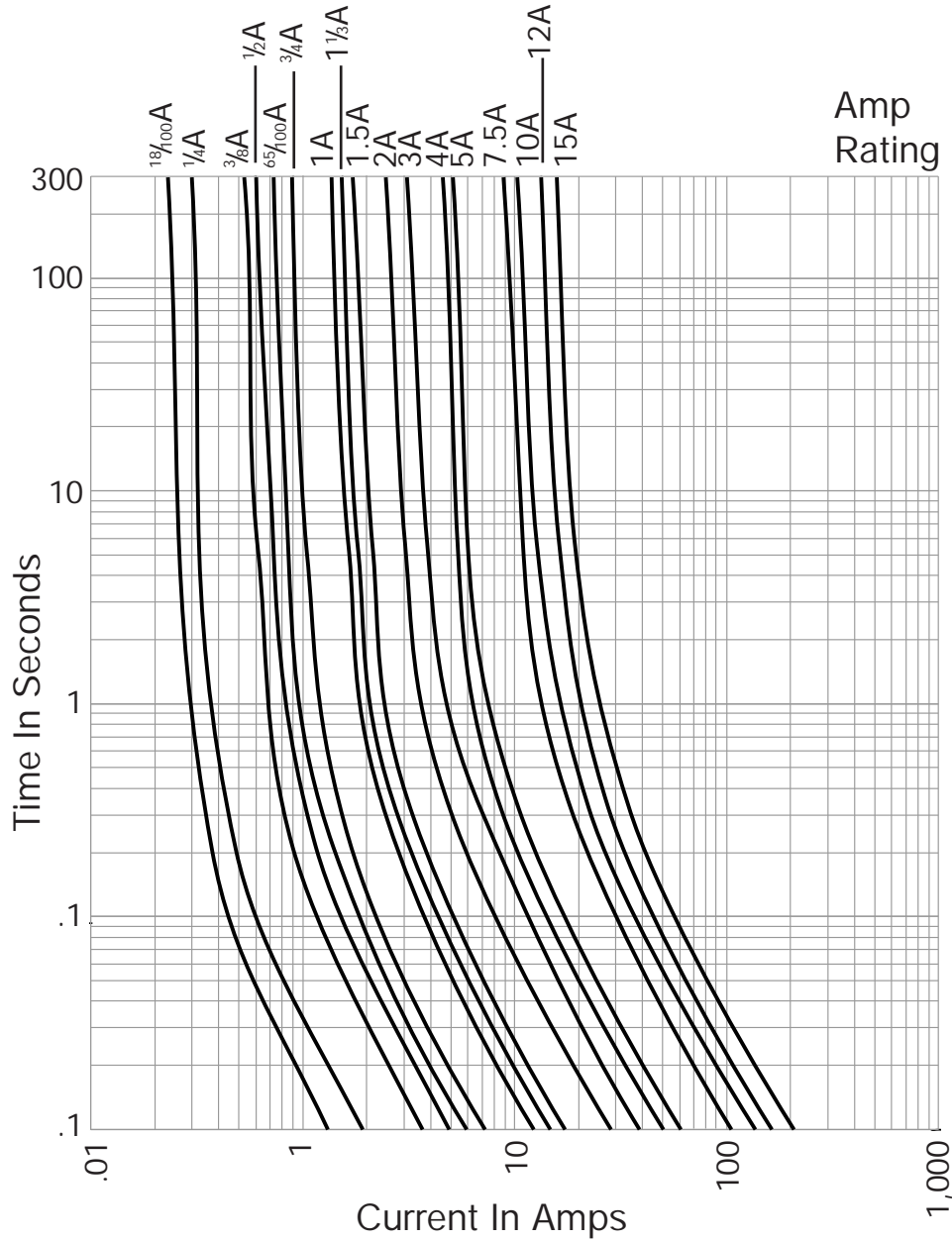
GMT-Y Fuse Cover

#### Catalog Symbol and Color Codes

Catalog Symbol	Color Code	Catalog Symbol	Color Code
GMT-18/100A	Yellow	GMT-3 1/2A	White/Blue
GMT-1/4A	Violet	GMT-4A	White/Brown
GMT-3/8A	White/Gray	GMT-5A	Green
GMT-1/2A	Red	GMT-7 1/2A	Black/White
GMT-65/100A	Black	GMT-10A	Red/White
GMT-3/4A	Brown	GMT-12A	Yellow/Green
GMT-1A	Gray	GMT-15A	Red/Blue
GMT-1 1/3A	White	GMT-Dummy	Gray
GMT-1 1/2A	White/Yellow	GMT-A (alarm)*	Yellow
GMT-2A	Orange	GMT-X (cover)	Clear
GMT-3A	Blue		

\*Designed specifically for use in the Telpower® Series 15800 fused disconnect switch.

Time-Current Characteristic Curves-Average Melt



Test Specifications

Percent Overload	Opening Time
100%	10 min. (minimum)
150%	5 min. (maximum)

The only controlled copy of this Data Sheet is the electronic read-only version located on the Cooper Bussmann Network Drive. All other copies of this document are by definition uncontrolled. This bulletin is intended to clearly present comprehensive product data and provide technical information that will help the end user with design applications. Cooper Bussmann reserves the right, without notice, to change design or construction of any products and to discontinue or limit distribution of any products. Cooper Bussmann also reserves the right to change or update, without notice, any technical information contained in this bulletin. Once a product has been selected, it should be tested by the user in all possible applications.